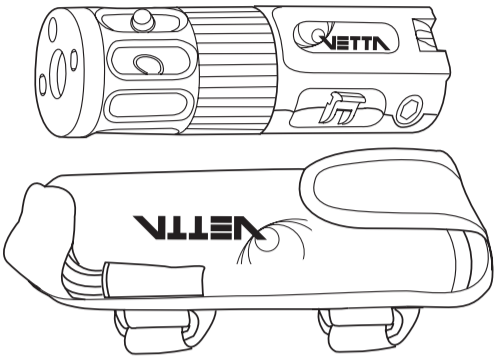


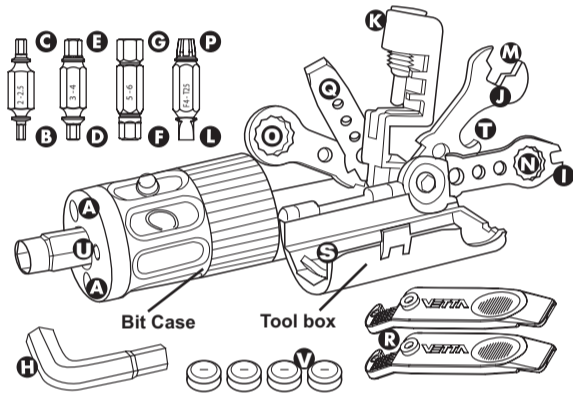


Vetta's TUBE TOOL is a self contained multi-tool that can easily fit into your jersey pocket or attach to the seatpost with the compact Neoprene sleeve provided.



Components

- A. Two LED lights
- B. 2mm Hex Wrench
- C. 2.5mm Hex Wrench
- D. 3mm Hex Wrench
- E. 4mm Hex Wrench
- F. 5mm Hex Wrench
- G. 6mm Hex Wrench
- H. 8mm Hex Wrench (attached to bag)
- I. 14g Spoke Wrench
- J. 15g Spoke Wrench
- K. Chain Tool
- L. FL4 (for use with Flathead or Phillips)
- M. 8mm Open Wrench
- N. 9mm Box Wrench
- O. 10mm Box Wrench
- P. T25 Torx Wrench
- Q. Fold Out Tire Lever
- R. 2 Plastic Tire Levers
- S. Twist Tire Lever
- T. Bottle Opener
- U. Bit Shaft
- V. 4 AG3 Batteries (2nd set included)

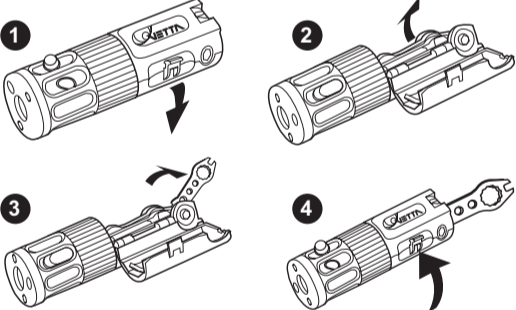


Usage

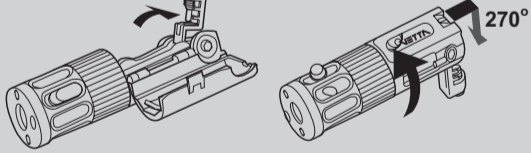
Tool box

How to use the tools in the Tool Box

Pull the latch of tool box to open the door (see the following figures). Fold out the needed tool and push the door closed.



Chain Tool

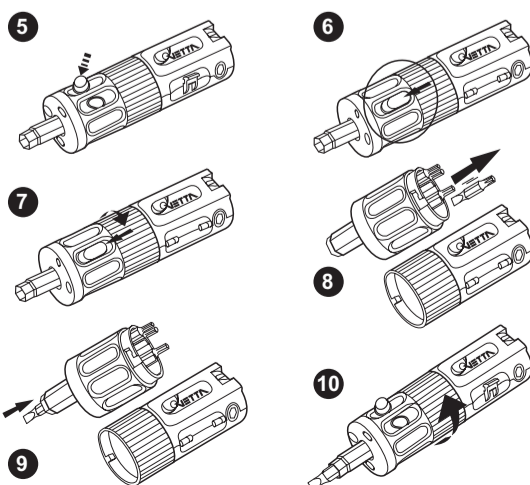


Bit Case

How to use the tools in the Bit Case

Press the black button on the Bit Case to release the Bit Shaft until it is fully extended (see Figure 5). Push the slide switch on the Bit Case (see Figure 6), and rotate it to open (see Figure 7). Inside are the Double Sided Hex (DSH) bits, which are held into position by magnets. Select a desired DSH bit and insert it into the Bit Shaft (see Figure 8 & Figure 9), the selected DSH is ready to use. For a better grip, connect the Bit Case with the Tool Box and rotate it to close (see Figure 10).

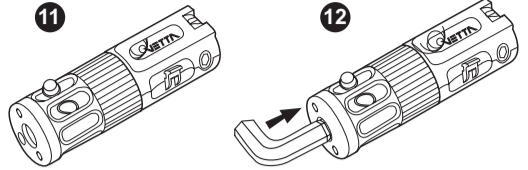
Note: Once the Bit Shaft is fully extended, it can be pivoted to a 90 degree position.



How to use the 8mm Hex Wrench

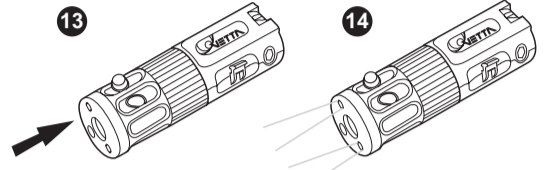
Make sure the Bit Shaft is returned to its retracted position (see Figure 11). Insert the smaller ends of the 8mm Hex Wrench into the Bit Shaft and it's ready to use.

Note: Don't use the 8mm Hex Wrench when the Bit Shaft is in full extension."



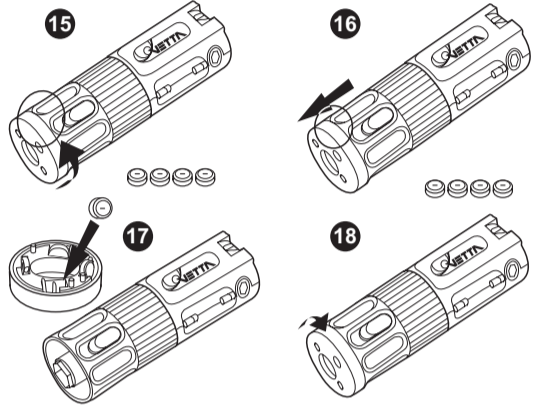
Turn on LED Lights

Press the recessed button beside the Bit Shaft to turn on the LED lights. Press again to turn them off.



Change the Battery

Rotate the front end of the TUBE TOOL to open the battery compartment (see Figures 15 and 16). Remove old batteries and replace with the first spare set of batteries provided.



Specifications

Tools	Torque (Max.)
8mm Hex Wrench	35 Nm
6mm Hex Wrench	16 Nm
5mm Hex Wrench, 9mm Box Wrench, 10mm Box Wrench	12 Nm
4mm Hex Wrench, 8mm Open Wrench	10 Nm
3mm Hex Wrench, FL4, T25	5 Nm
2.5mm Hex Wrench	2.5 Nm
2mm Hex Wrench, 14g, 15g	1.5 Nm

Battery Life: 1 hour continuous use

Diameter: 34mm **Length:** 108mm

Total Weight: 310g (Approximately 10.9oz including Neoprene sleeve, Plastic Tire Levers & 8mm Hex Wrench)

Tool Case Material: PC + 10% Fiberglass

Metal Components: Antirust

Neoprene Sleeve: Splash proof

Warranty Policy

ACUMEN INC. WARRANTS ALL VETTA (The Company) PRODUCTS AGAINST MANUFACTURER DEFECTS FOR A PERIOD OF 3 YEARS. Subject to the following limitations, terms and conditions, components will be free of manufacturing defects in materials and workmanship. The 3 year limited warranty is conditioned upon the components being used and operated in normal riding conditions. This warranty does not cover normal wear and tear (i.e. battery replacement, broken wire...), rider abuse, acts of God, improper installation or product alteration. **This warranty is void if the components were not purchased (new) from or through an authorized VETTA retailer or dealer; examples of unauthorized dealers are online auction sites or online retailers that do not offer service.**

ACUMEN INC. at its sole discretion will repair or replace items at its own cost. Users are responsible for all freight shipping charges when returning items for warranty service.

ACUMEN INC. will pay the freight when returning serviced items via USPS or UPS to consumers or dealers once the item(s) has been repaired or replaced.

REQUIREMENTS FOR WARRANTY SERVICING

- Prior to shipping an item back, you must first obtain a Return Authorization Number (s) (RA#). Each item being returned must have an individual RA#.
- To obtain an RA #, you must either contact the retailer where the product was originally purchased from, or contact **VETTA** directly at customerservice@vetta.com.
- For trouble shooting purposes, we request that the complete unit with packaging be returned to **ACUMEN INC.** unless otherwise stated by **VETTA** representative.

ITEMS TO BE INCLUDED IN RETURNS

- The defective product(s)
- A letter clearly stating the problem(s) with the returned item(s).
- Copy of the original sales receipt showing proof of purchase date.
- The Company is not responsible for loss or additional damages while in transit to **ACUMEN INC.**
- Clearly mark the RA# on the outside of the return packaging. All items without an RA # will be refused and returned to the return address on the package.

The Company shall not be held responsible for replacing items with new items for greater than the amount of the original item purchase price. This limited warranty does provide the original owner with certain legal rights and recourse. The original owner may possess other rights or recourse, depending on the state or country. Please check the web to help answer any question and service manual.

Customer Service Centre

Acumen, Inc.
101A Executive Dr., Suite 100, Sterling, VA 20166, USA.

Acumen Europe BV (Europe Office)
Splijtbakweg 117, 1333 HJ Almere, The Netherlands.

Email: customerservice@vetta.com
Website: www.vetta.com